

Imagine®

PERFORMANCE

The Imagine Gliding door system meets performance requirements in accordance with the CSA-A440 standard:

Air infiltration	A3
Water infiltration	B4
Wind load	C3
Ease of operation	E3
Meets AAMA/WDMA/CSA 101/1.S.2/A-440-05	SGD-R50-71X95 Rating DP 50.
Florida number FL4069.1	

STANDARD FEATURES

- Sliding screen
- 2-point lock mechanism

OPTIONS

- Foot lock
- Brick mold
- Sill extension
- Transoms and sidelites
- Signature handle: 6 finishes in option
- 4-point lock mechanism
- Frame extension (7 1/4" or 9 1/4")
- Stainless steel handle and roller kit
- Stainable / paintable interior woodgrain finish
- Keyed lock

AVAILABLE GLASS OPTIONS

- Energitech® (Low E/Argon) is standard*
- Retractable mini-blinds with Low E glass (available in standard sizes only)
- Internal grills
- V-Groove clear glass (15 lite or Elegance)

NEW!
February 2011

* Except for the gliding door with internal mini-blinds.

MAINTENANCE FREE DOORS

- All PVC sash and frame
- Rustproof
- No painting required
- Will not rot
- Will not dent
- Will not warp, discolor, peel or flake

TRANSOMS AND SIDELITES

With frames made entirely of PVC, Imagine transoms are completely maintenance-free. They are available in a wide selection of finishes and glass types.

A WORLD OF COMFORT

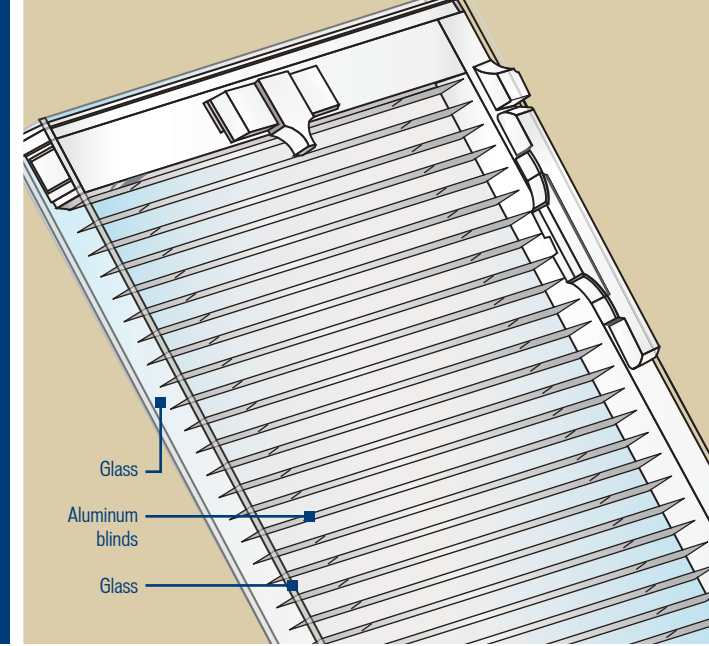
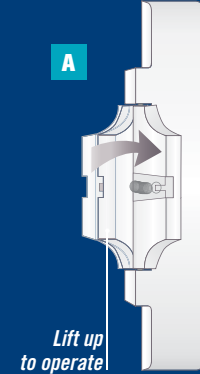
The energy efficiency of Energitech® glass is 63% greater than that of regular clear glass. Absolute comfort in summer or winter.



RETRACTABLE BLINDS BETWEEN THE GLASS

- Horizontal retractable blinds between the glass
- Maintenance-free, no dusting required
- Built into a Low-E sealed unit

EASY GLIDE OPENING MECHANISM FOR RETRACTABLE BLINDS BETWEEN THE GLASS



Imagine®



THE GLIDING FRENCH DOOR

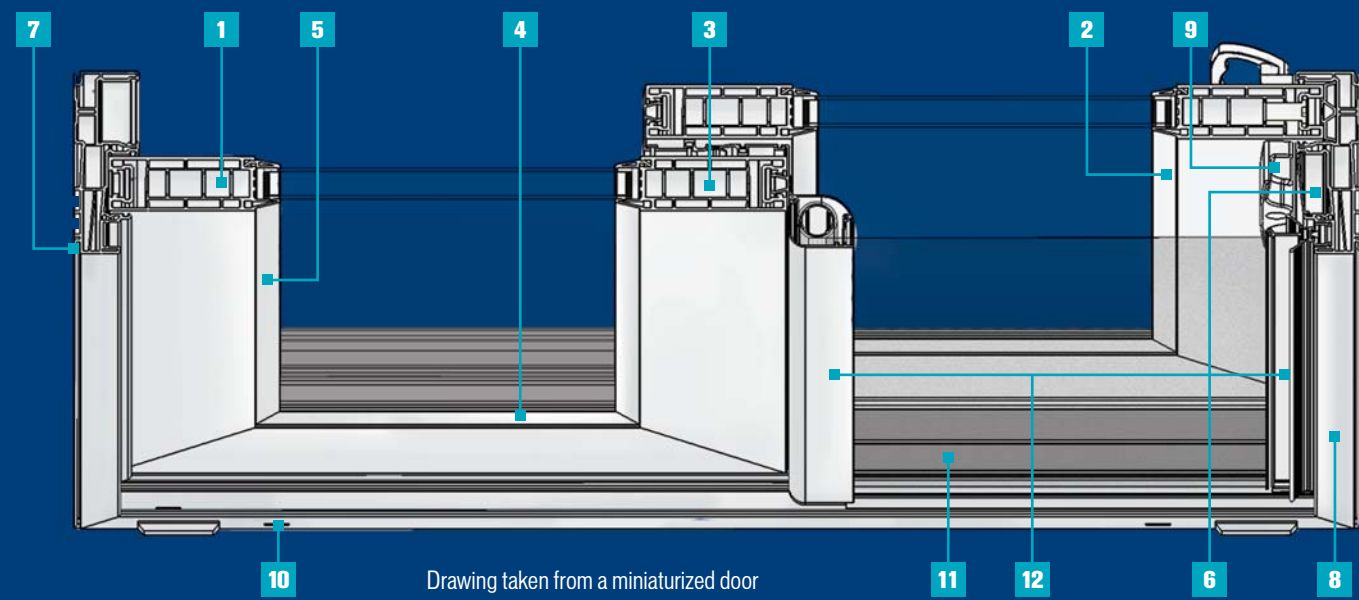


RESERVE.com

© Portes Patio Resiver
December 2010



Please see warranty leaflet for details.



FRENCH DOOR...

Unique French door design.

GLIDING DOOR...

High-density 1 1/2" nylon rollers with steel ball bearings slide on a polished anodized aluminum rail for smooth and quiet operation.

SASH

1 13/4" x 4 1/2" sash for greater rigidity, all PVC, high-gloss powder extrusion, gives you the look of French doors.

45° fusion-welded on all four corners.

State-of-the-art drainage system.

2 Operating panel available in left or right slide.

3 Fixed panel can be removed if necessary.

Wide meeting rails, each with double weatherstripping for superior air and water tightness.

15 gauge steel reinforcement.

INSULATED GLASS

4 Full 1-inch insulated glass for better energy efficiency.

5 Flush glazed for an impeccable finish with integral glazing stop and glazing tape.

FRAME AND SILL

6 All PVC, 5 7/8" frame width. Optional 7 1/4" or 9 1/4" frame extension.

7 Multi-chamber frame and sill for greater thermal efficiency.

8 Welded 45° frame for increased strength and performance

9 Exterior jamb cover.

10 Drainage system directly at the sill.

11 All-PVC sloped sill for better drainage.

Anodized aluminum sill cover.

SCREEN

12 The gliding French door is available with 3 different screen options:

- The standard gliding screen.
- The "Heavy-duty" gliding screen.
- The integrated, retractable screen.

STANDARD HARDWARE

High-quality two-point locking hardware with a top of the line "Signature" white handle. 6 other finishes also available. Key-lock is optional.



V-Grooved 15-lite glass

OUR IMAGINE GLIDING DOOR IS AVAILABLE WITH A LARGE SELECTION OF GLASS OPTIONS.

AVAILABLE IN CUSTOM SIZES!



White Georgian 3X1 top grill



White Georgian perimeter grill (also available with 15-lite internal grills)



Clear Elegance V-groove glass
The gliding door is available with an interior woodgrain stainable / paintable finish as an option.



HANDLES

Signature™ SERIES TRUTH HARDWARE

NEW!

Exterior handle color matches interior handle

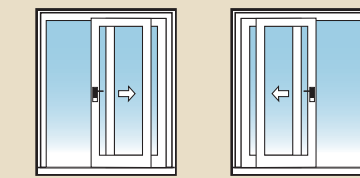
Blue white	Cream white	Brass	Brushed Chrome	Antique brass	Brushed Antique Chrome	Oil rubbed	Brushed nickel
Interior view	Interior view	Interior view	Interior view	Interior view	Interior view	Interior view	Interior view
Standard							Choice of 6 finishes



Hardware options:
SecuriPoint™ 4-point locking hardware for added security. Stainless steel handle and roller kit (coastal application)

DIMENSIONS

2-panel

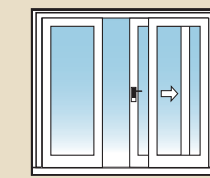


OF = Operating left
Fixed right (XO)

FO = Fixed left
Operating right (OX)

- 59 1/4" x 79 1/2"
- 71 1/4" x 79 1/2"
- 58 1/2" x 81 1/2"
- 70 1/2" x 81 1/2"
- 95 1/4" x 79 1/2"
- 94 1/2" x 81"

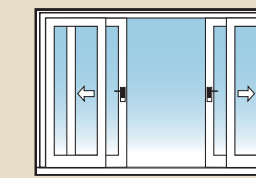
3-panel



FOF or OFF or FFO (OXO or XO0 or OOX)

- 103 9/16" x 79 1/2"
- 107 1/2" x 79 1/2"
- 103 11/16" x 79 1/2"
- 102 1/2" x 81 1/2"
- 106 3/8" x 81 1/2"
- 102 9/16" x 81 1/2"

4-panel



FOOF (OXXO)

- 140 1/2" x 79 1/2"
- 139" x 81 1/2"

* Custom sizes available

STYLISH BRICK MOLD AND SILL EXTENSION

NEW!

